

2

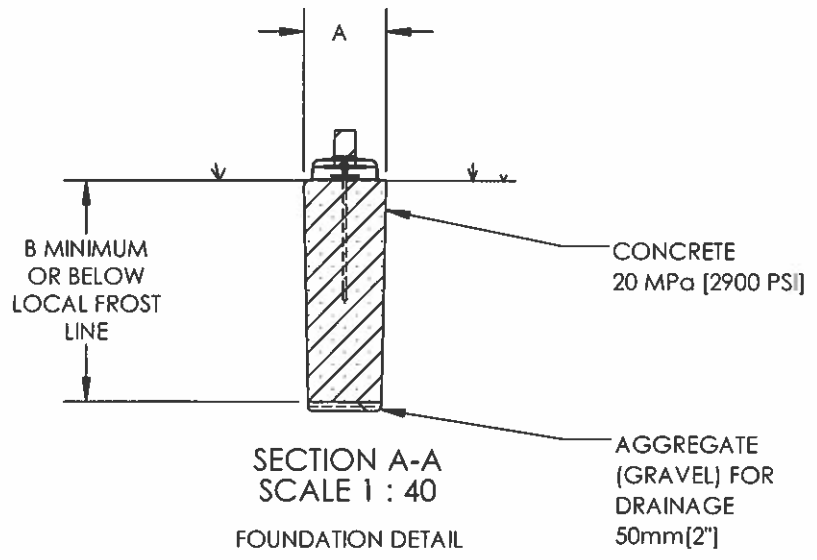
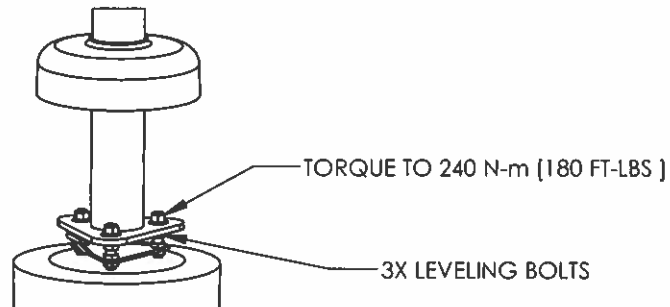
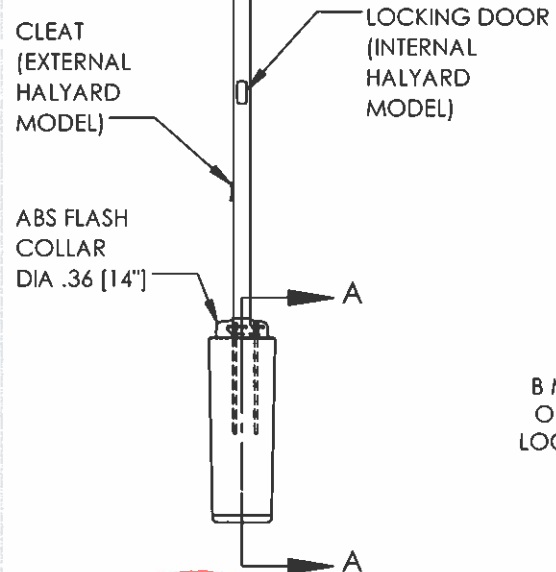
1

ACORN FINIAL
DIA 0.13 (5")
REVOLVING
TRUCK

| Signature™ Series | | | | | | | | | | | |
|--------------------------------------|----------|----------|----------|----------|----------|----------|----------|----------|----------|----------|--|
| External Cleat | SEH20 | | SEH25 | | SEH30 | | SEH35 | | SEH40 | | |
| Internal Locking Door | SIC20 | | SIC25 | | SIC30 | | SIC35 | | SIC40 | | |
| | Metric | Standard | Metric | Standard | Metric | Standard | Metric | Standard | Metric | Standard | |
| Above Ground Height | 6.1m | 20' | 7.6m | 25' | 9.1m | 30' | 10.7m | 35' | 12.2m | 40' | |
| Pole Top Dia | 66mm | 2.6" | 66mm | 2.6" | 66mm | 2.6" | 66mm | 2.6" | 66mm | 2.6" | |
| Pole Butt Dia | 114mm | 4.5" | 114mm | 4.5" | 114mm | 4.5" | 140mm | 5.5" | 140mm | 5.5" | |
| Foundation Dia 'A' | .46m | 18" | .46m | 18" | .46m | 18" | .56m | 22" | .56m | 22" | |
| Foundation Depth 'B' | 1.2m | 48" | 1.2m | 48" | 1.2m | 48" | 1.4m | 54" | 1.4m | 54" | |
| Finial Diameter | 152mm | 6" | 152mm | 6" | 152mm | 6" | 152mm | 6" | 152mm | 6" | |
| Equivalent Wind Strength (Unflagged) | | | | | | | | | | | |
| m/s and ft/sec | 80 m/s | 262 ft/s | 80 m/s | 262 ft/s | 49m/s | 160 ft/s | 65 m/s | 213 ft/s | 48 m/s | 157 ft/s | |
| km/h and mph | 288 km/h | 179 mph | 288 km/h | 179 mph | 176 km/h | 110 mph | 234 km/h | 145 mph | 173 km/h | 108 mph | |
| Equiv. Wind Press. Ref* | 4.1 kPa | | 4.1 kPa | | 1.5 kPa | | 2.7 kPa | | 1.5 kPa | | |

B

B



A

A



MALCOLM B. STEPHENS P.ENG

UNITS
STANDARD UNITS ARE m
ALTERNATE UNITS ARE [ft OR in"]

PROPRIETARY AND CONFIDENTIAL
THE INFORMATION CONTAINED IN THIS DRAWING IS THE SOLE PROPERTY OF Formenta Canada. ANY REPRODUCTION IN PART OR AS A WHOLE WITHOUT THE WRITTEN PERMISSION OF Formenta IS PROHIBITED.

FORMENTA



176 Saunders Rd, Barrie, ON L4N 9A4. 1-800-375-7271
www.IHEflagstore.ca

**SIGNATURE™
FLAGPOLE**

SIZE DWG. NO.
A SG-DE-A
SCALE 1:50

REV.

SHEET 1 OF 1

2

1